

## Basic Visio L9 | Semi-Recessed



**DE** LED-Halbeinbauleuchte für gesägte Deckenöffnungen. Direkt- rundumstrahlend für dezente Wand- bzw. Deckenaufhellung. 4 verschiedene Durchmesser von 320 bis 630mm. Leuchtenkörper mit umlaufendem Rahmen aus Aluminium wahlweise weiß oder graphitfarben. Optikträger aus gegossenem Acrylglas. Wahlweise Microprismenoptik mit optimierter Blendungsbegrenzung speziell für Office-Anwendungen oder satiniertes Opaldiffusor für Allgemeinbeleuchtung mit max. Transmissionsgrad und homogener Lichtpunktauflösung. Konverter in Leuchtengehäuse integriert, wahlweise einfach schaltbar oder stufenlos dimmbar (DALI, Touch-Dim, Casambi). Farbtemperatur 2200K, 2700K, 3000K, 3500K, 4000K, 6500K oder Tunable White (2700-6500K). Binning initial: MacAdam 3. Farbwiedergabe CRI>80, CRI>90 oder Full Spectrum. Befestigungsset zur Montage inklusive. Auf Anfrage: Integration von Notlichtkomponenten.

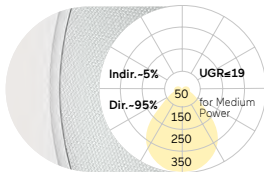
**EN** Semi Recessed LED luminaire for ceilings with cut-out openings. Omnidirectional light distribution for soft wall or ceiling illumination. 4 different diameters from 320 to 630mm. Luminaire body with surrounding frame made of aluminium optionally white or graphite coated. Luminaire body made of cast acrylic glass. Available with microprismatic screen with optimized glare reduction especially for workplaces or satin opal diffuser for general lighting with maximum transmittance and homogeneous lighting. Driver integrated into luminaire housing, optionally switchable or dimmable (DALI, Touch-Dim, Casambi). Colour temperature 2200K, 2700K, 3000K, 3500K, 4000K, 6500K or Tunable White (2700-6500K). Binning  $\leq$  MacAdam 3. Colour rendering CRI>80, CRI>90 or Full Spectrum. Mounting brackets for assembly included. On request: Integration of emergency lighting components.

**B L9 O W E- 8 30 M- D425**

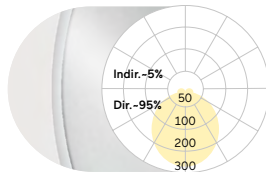
Product Family	<b>B:</b> Basic
Type	<b>L9:</b> Direct Only
Optical System	<b>A:</b> Microprismatic, <b>O:</b> Opal Diffuser
Surface Finish	<b>W:</b> Snow White, <b>V:</b> Ivory White, <b>S:</b> Radiant Silver, <b>U:</b> Urban Graphite, <b>B:</b> Jet Black, <b>H:</b> Anodic Champagne, <b>K:</b> Satin Copper
Control Gear	<b>E:</b> On/Off, <b>L:</b> DALI, <b>H:</b> Touch-Dim, <b>C:</b> Casambi, <b>6:</b> DALI DT6 for TW, <b>8:</b> DALI DT8 for TW
Colour Rendering	<b>8:</b> CRI>80, <b>9:</b> CRI>90, <b>F:</b> Full Spectrum [except 2200K]
Colour Temperature	<b>22:</b> 2200K, <b>27:</b> 2700K, <b>30:</b> 3000K, <b>35:</b> 3500K, <b>40:</b> 4000K, <b>65:</b> 6500K, <b>TW:</b> Tunable White 2700-6500K
Power	<b>M:</b> Medium Power, <b>H:</b> High Power
Size	Luminaire Diameter in mm: <b>D325, D425, D525, D635</b>
On Request	Emergency Module [D425-D635]



Microprismatic | Direct

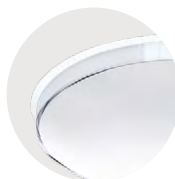
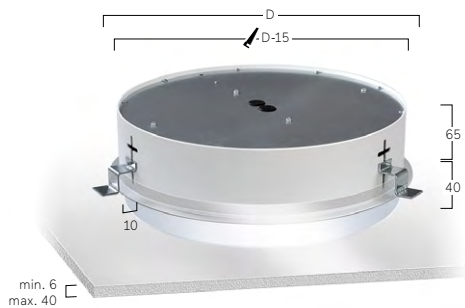


Opal Diffuser | Direct

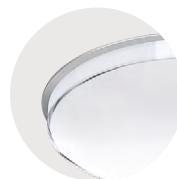


D mm	Lumen/Watt		D mm	Lumen/Watt	
	Medium Power	High Power		Medium Power	High Power
325	630lm/5W	1000lm/9W	325	670lm/5W	1060lm/9W
425	1630lm/13W	2840lm/22W	425	1730lm/13W	3020lm/22W
525	2470lm/19W	4560lm/34W	525	2620lm/19W	4830lm/34W
635	3340lm/25W	6200lm/46W	635	3550lm/25W	6570lm/46W

Lumen Values: Luminaire luminous flux at 4000K/CRI>80. Other configurations on request.



**W** Snow White



**S** Radiant Silver



**U** Urban Graphite



**B** Jet Black